

SLAP-PBMA01****32"/43"/50"/55"****500nit Android SoC Digital Signage**

Key Feature

- UHD Resolution (Only for 50" / 55")
- 500nits
- 7 × 24 Operation
- Android 7.1
- ARM Quad-Core Cortex A7
- Built-In Speaker
- Slim and light Design
- Landscape & Portrait Installation support
- VESA Mounting Interface

Specification

Model	SL32AP-PBMA01	SL43AP-PBMA01	SL50AP-PBMA01	SL55AP-PBMA01
Display				
Screen Size (Diagonal)	32 inch	43 inch	50 inch	55 inch
Native Resolution	1920 (H) × 1080 (V)		3840 (H) × 2160 (V)	
Aspect Ratio	16 : 9			
Brightness	500 cd/m ²			
Contrast	≥ 3000:1	≥ 1200:1	≥ 5000:1	≥ 1200:1
View Angle	178°(H) / 178°(V)			
Display Color	16.7M			
Response Time	9.5ms	8ms	8ms	8ms
Operation Time	7 × 24H			
Life Time (Light Source)	50,000 Hrs (Typ.)			

Interface

Input	-			
Output	Earphone x 1			
External Control	-			
Networks	LAN x 1 / WiFi			
Others	USB OTG x 1 / USB HOST x 1 / SD Card Slot x 1			
Built-In Speaker	8W x 2 (8Ω)			

Internal Player

O/S	Android 7.1			
CPU	ARM Quad-core Cortex-A7@1.2GHz			
GPU	Mali400 MP2			
RAM/ROM	1GB / 8GB			

Power

Power supply	AC 100~240V 50/60Hz			
Power consumption	≤ 50W	≤ 90W	≤ 138W	≤ 168W

Environment

Operation Temperature	0°C~40°C			
Operation Humidity	20%~80% RH			
Storage Temperature	-20°C~60°C			
Storage Humidity	10%~80% RH			

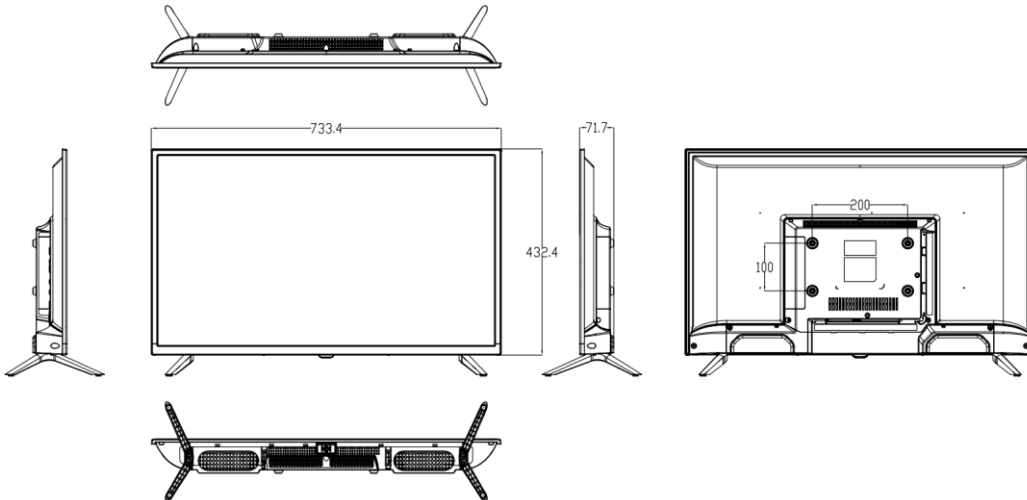
Specification

Model	SL32AP-PBMA01	SL43AP-PBMA01	SL50AP-PBMA01	SL55AP-PBMA01
Physical				
Color	Black			
Bezel (mm)	16(L/R)/14.8(T) 21.3 (B)	12.8(L/R/T) 18.3(B)	12.3(L/R/T) 17.3(B)	14.14(L/R/T) 20.8(B)
Tempered Glass	-			
Body Dimension w/o Stand (W×H×D, mm)	733x432x65	970x564x69	1124x649x73	1240x717x81
Set Weight w/o Stand	3.5 Kg	6.5 Kg	10.5 Kg	12.5 Kg
Package Dimension (W×H×D, mm)	797x492x112	1025x610x128	1184x710x141	1320x796x158
Package Weight	6.5 Kg	8.5 Kg	15.5 Kg	17.5 Kg
VESA Mounting	200 × 100	200 × 200	200 × 200	200 × 200

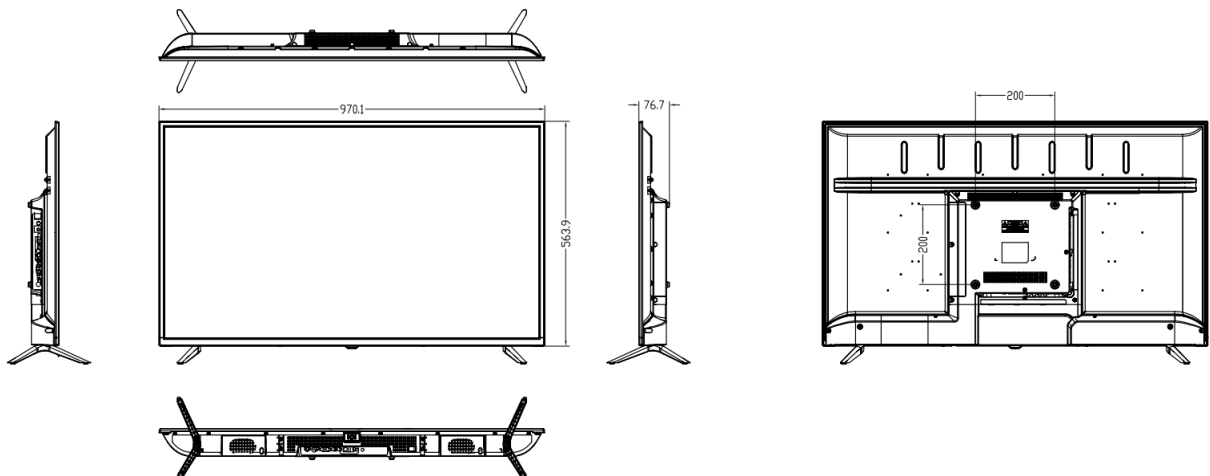
Dimension Drawing

Unit: mm

SL32AP-PBMA01



SL43AP-PBMA01

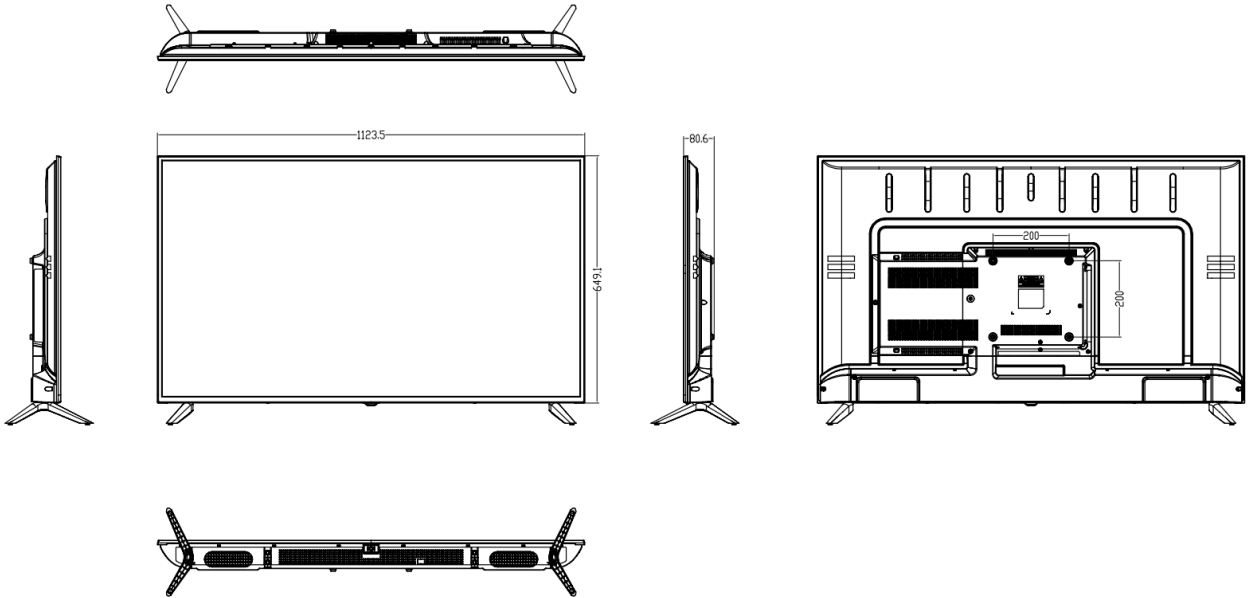


Specification

Dimension Drawing

Unit: mm

SL50AP-PBMA01



SL55AP-PBMA01

